

# PRODUCT INFO SHEET

ASI 62050 • PPAI 113957

- Provide art electronically whenever possible. You may send art via the internet. All files should be archived - stuffed or zipped (.sit / .zip). We accept art in Macintosh format, vector drawn in Adobe Illustrator™ (9/ 10/ cs) saved as .ai, .eps or .pdf file formats. Please convert all copy/text to outlines/vectors.
- All line weights should be no thinner than 0.5pt.
- Please supply multiple colored art separated with "spot colors" or designate PMS colors within the job file.
- Set type no smaller than 10pt. Block sans serif type prints better than serif type styles. Either provide your fonts (postscript) or convert them to vector / outlines.
- Supply camera ready art at 600 dpi at imprint size. Please no screening or halftones on camera ready artwork.
- Screens are at 55 lpi at imprint size. Screen values will be between from 15% – 45%.

## JIVIT / MULTI-TOOL Product No: 444 Padprint

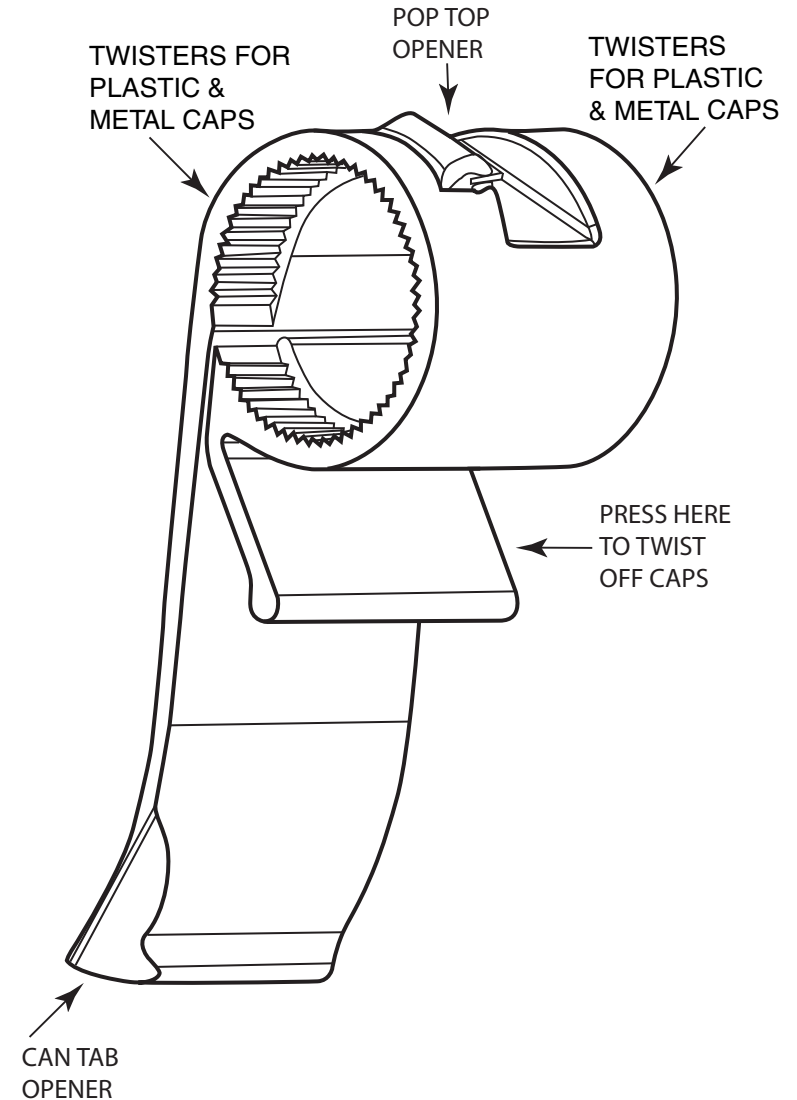
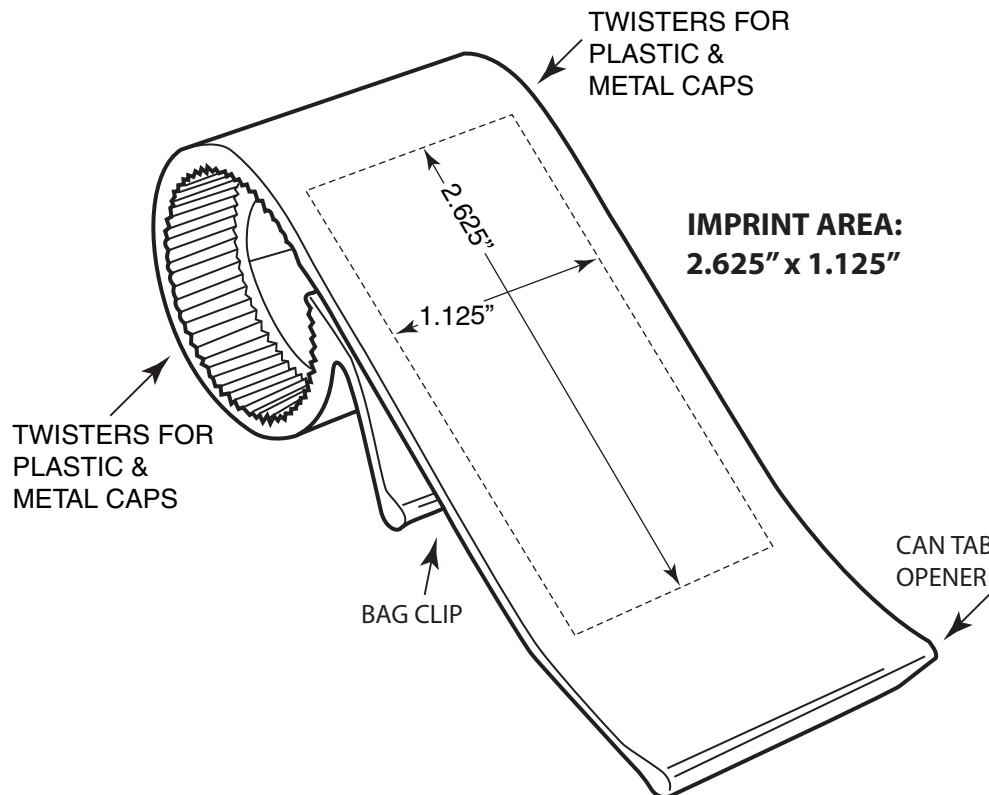


Diagram is to 100% – actual size.